

63836 STATE HWY 30, LA GRANDE, OR 97850
 UNION COUNTY SEARCH AND RESCUE
RALPH'S PLACE

Situate in Section 23, Township 3 South, Range 38 East of the Willamette Meridian
 Tax Lot 1300, Map 03S3823

NOTES

GENERAL NOTES

- All work to be done in accordance with the latest UBC, NDS and ACI Specifications
- Engineering of roof system by others
- Contractor shall be responsible for all temporary support of structures and embankments.
- Submit truss design prior to fabrication with location of girder trusses, verify all truss spans and configuration on job prior to fabrication.

EXCAVATION AND FOUNDATION NOTES

- Post shall be direct buried with 3/4" minus compact backfill min. 4 ft. depth.
- The footing consisting of a 36" diam. x 6" 3000 psi concrete pad shall bear on native, inorganic, undisturbed native soil below existing grade. All structural footings shall be extended minimum 4'-0" below finished grade unless noted otherwise on plans.
- There shall be 95% compaction of all backfill for slab on grade in accordance of ASTM D1557 modified proctor density.
- Backfill in annular space around the posts shall be granular backfill 3/4(-) gravel or crushed rock. Backfill shall be compacted by tamping in layers not more than 8" in depth.

FRAMING NOTES

- Roof shall be sheathed with 15/32" APA rated panels attached with 8d nails. Nails shall be placed at 6" O.C. minimum on all panel edges and 12" O.C. elsewhere. Underlayment min 15# felt. Min. 29 ga. steel roofing and siding.
- All wood in permanent contact with ground shall be pressure treated per NDS specifications and in accordance with all local codes and laws.
- Structural lumber shall conform to Western Softwood Association for grading.
- Posts shall be 6x8 Pressure Treated HF#2 U.N.O.
- Posts shall be pressure treated to 0.60 pdf retention CCA accordance with UBC Std 25-12 and A.W.P.A. LP-44.
- Posts shall be centered on the footing
- Girts shall be 2 x 6 DF#2 @ 24" O.C. U.N.O.
- Rafters shall be 2 x 6 DF #2 @ 24" O.C. U.N.O.
- All Bolts shall be 3/4 diameter galvanized steel machine bolts with washers and nylon locknuts and shall conform to ASTM.

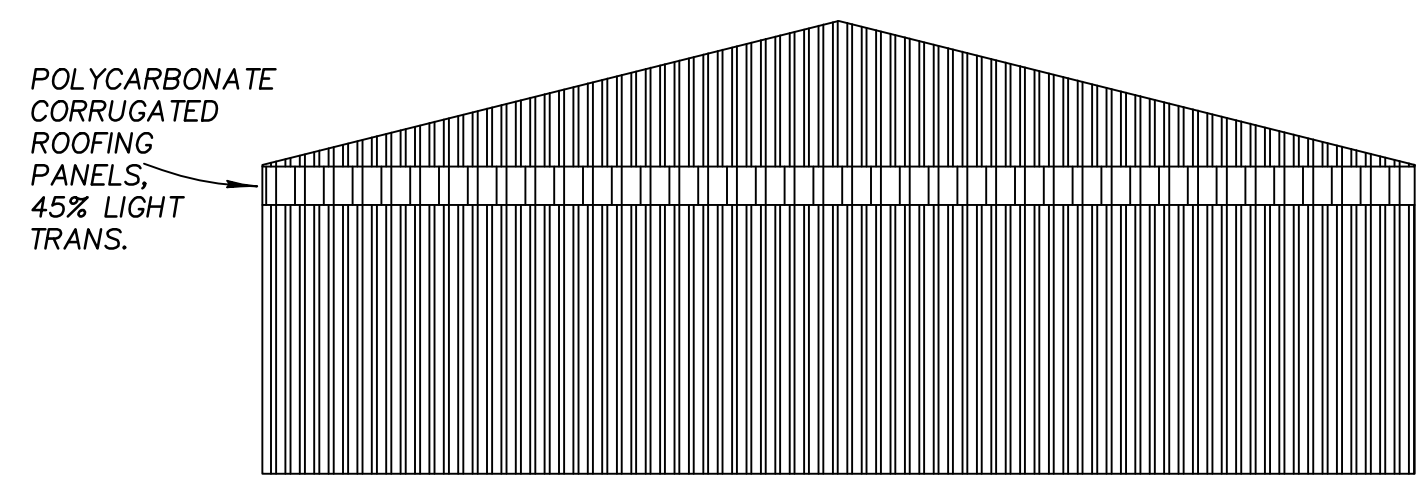
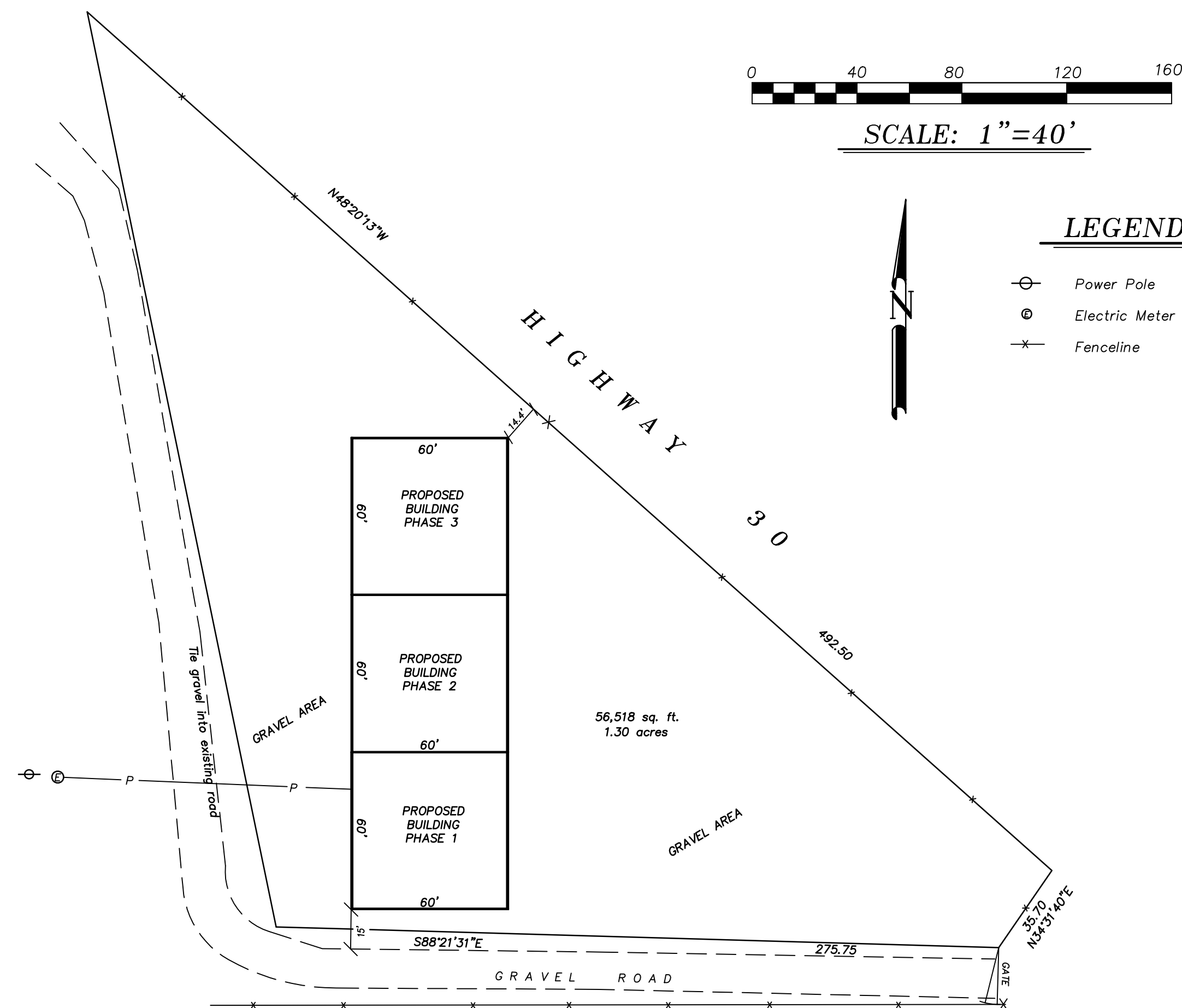
NOTE: Max egress distance as drawn is 69.65'

TABLE OF CONTENTS

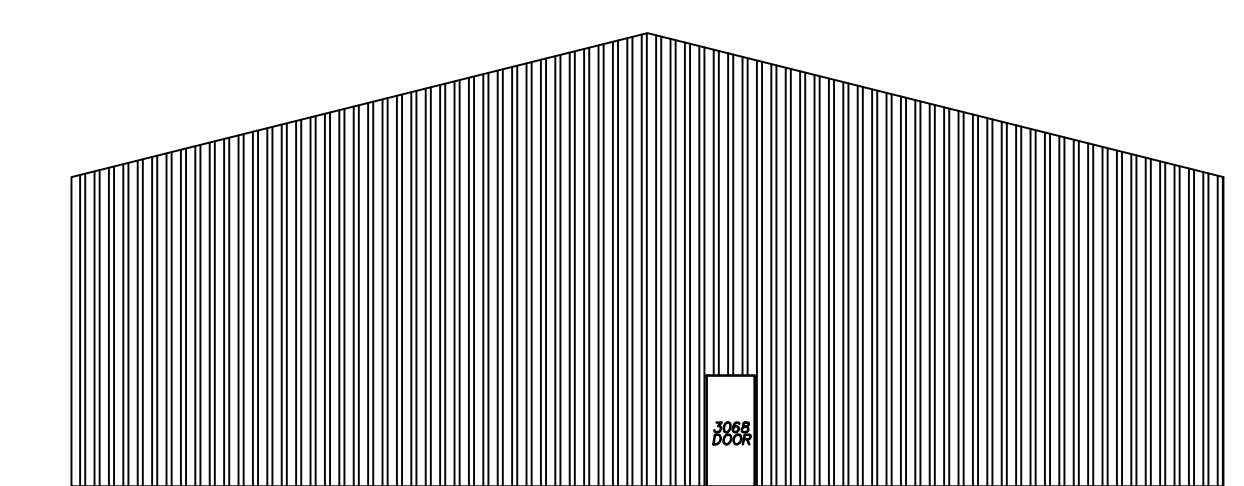
- PAGE 1 – TYPICAL BUILDING SECTION, LIGHTING PLAN AND DETAILS
 PAGE 2 – ROOF FRAMING AND FOOTING PLAN
 PAGE 3 – FRAMING PLAN

DESIGN CRITERIA

WIND SPEED	70 MPH
EXPOSURE	C
SEISMIC LOAD	2b
LOAD	DEAD-10psf, LIVE-25psf
SOIL BEARING	1500psf

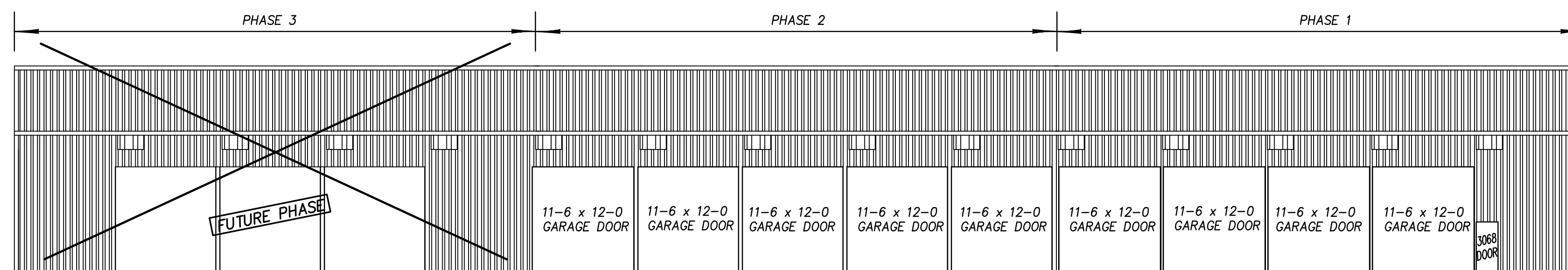
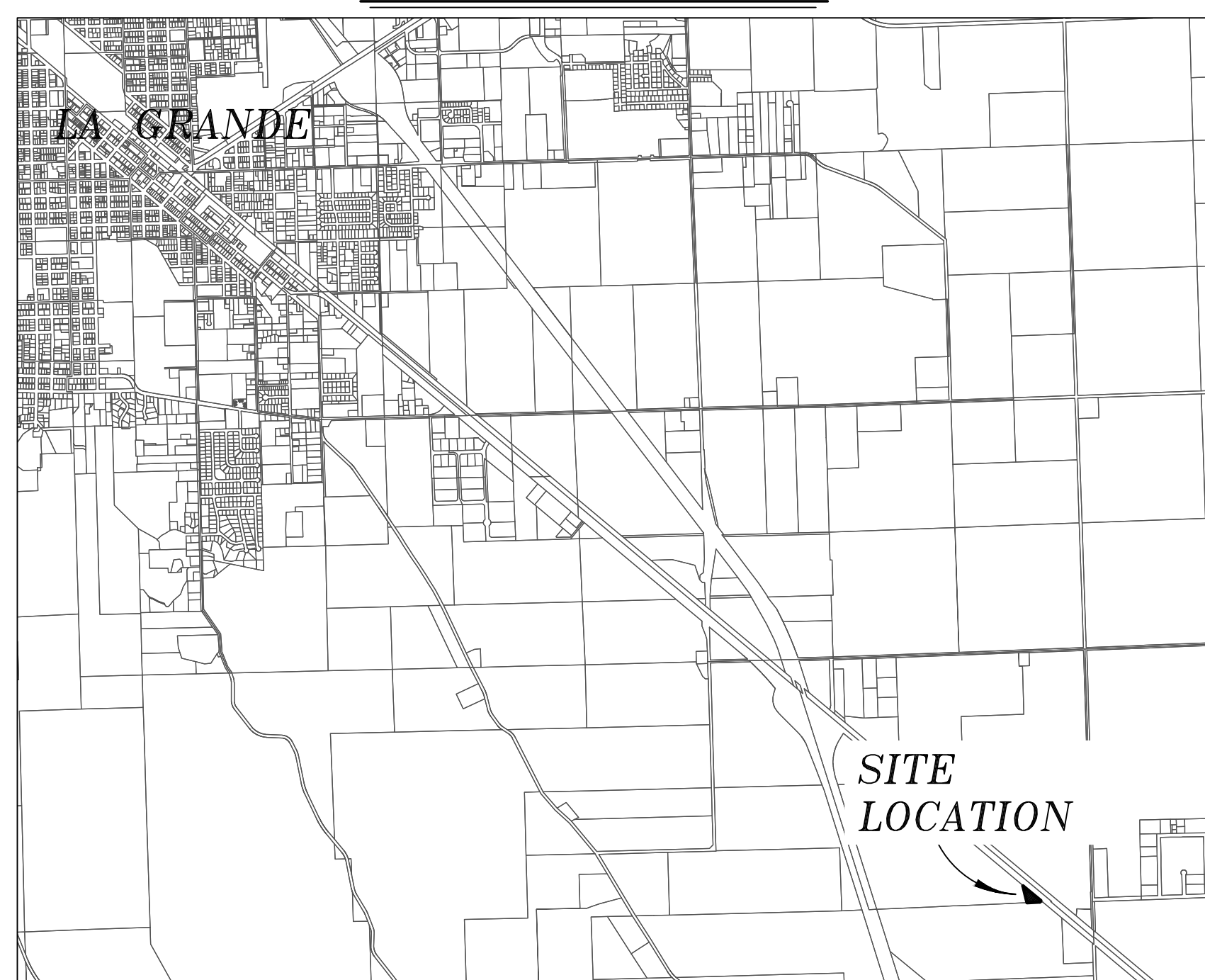


EXTERIOR VIEW – SOUTH SIDE

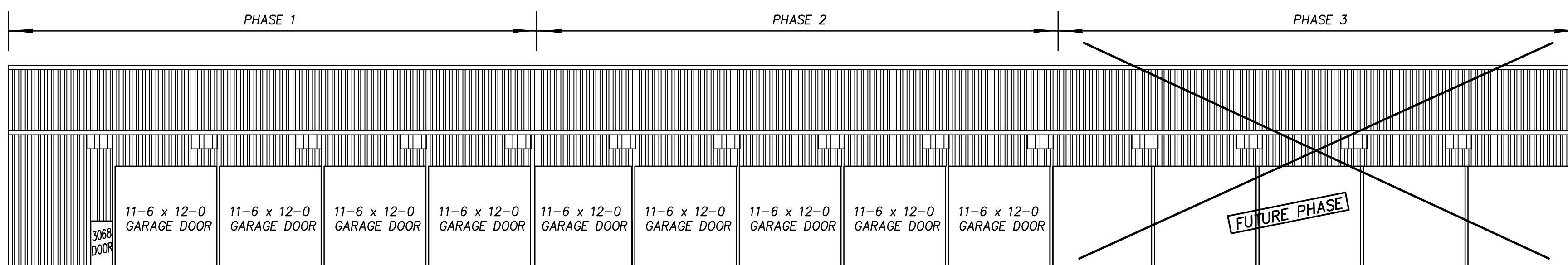


EXTERIOR VIEW – NORTH SIDE

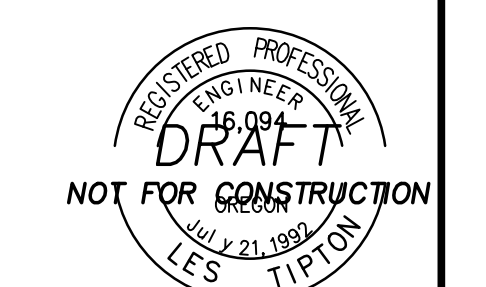
VICINITY MAP

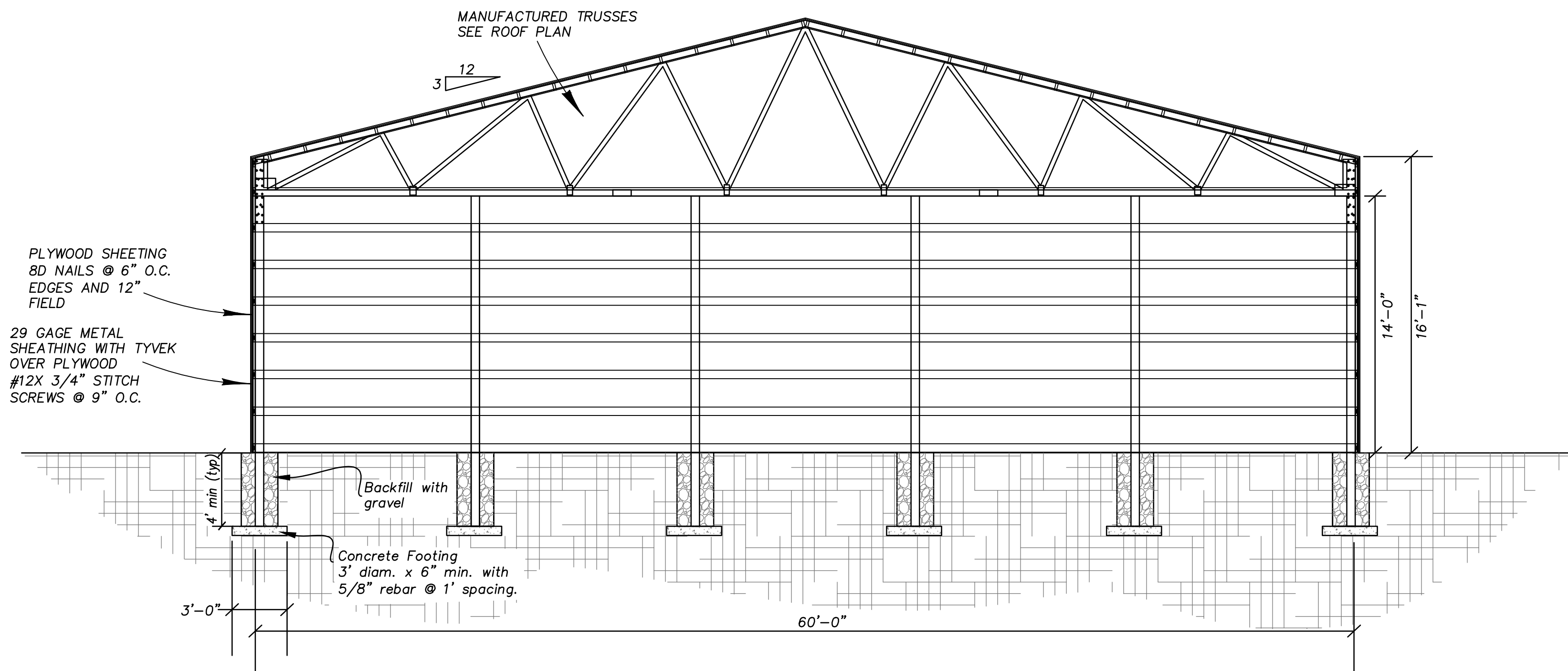


EXTERIOR VIEW – WEST SIDE



EXTERIOR VIEW – EAST SIDE



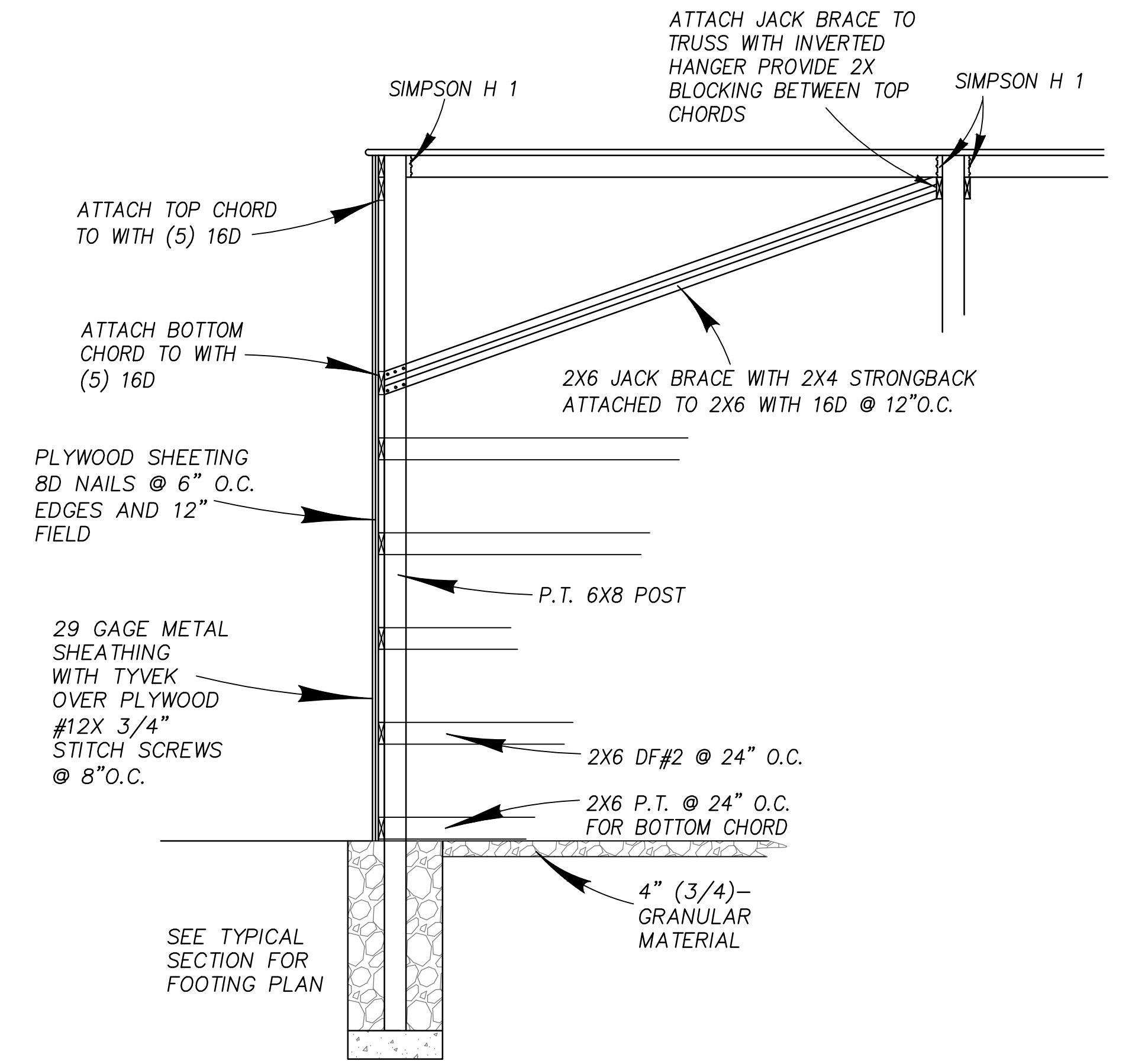


1
S01

GABLE END BUILDING SECTION

0 5 10 15 20

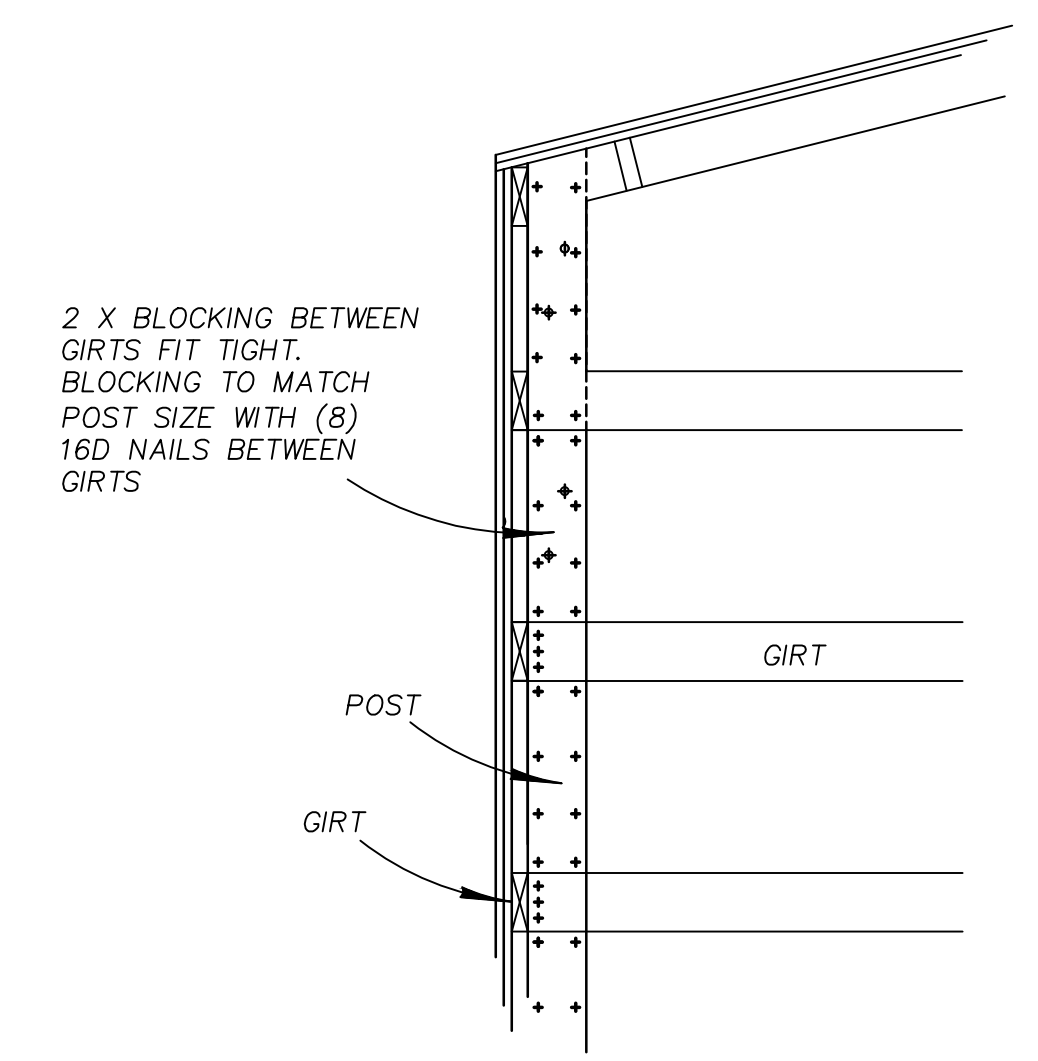
SCALE: 1"=5'



5
S01

TYPICAL FRAME SECTION/GABLE WALL

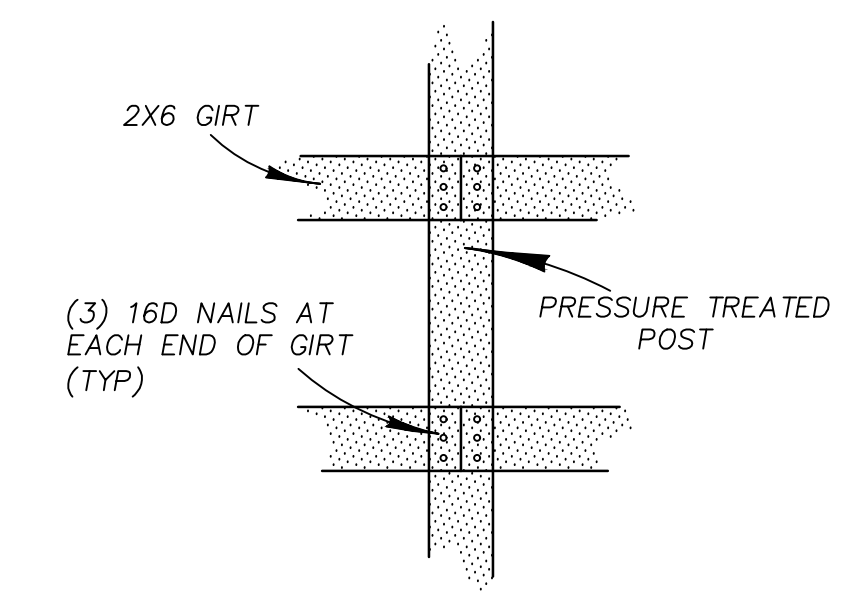
NOT TO SCALE



3
S01

GABLE END WALL TRUSS CONNECTION

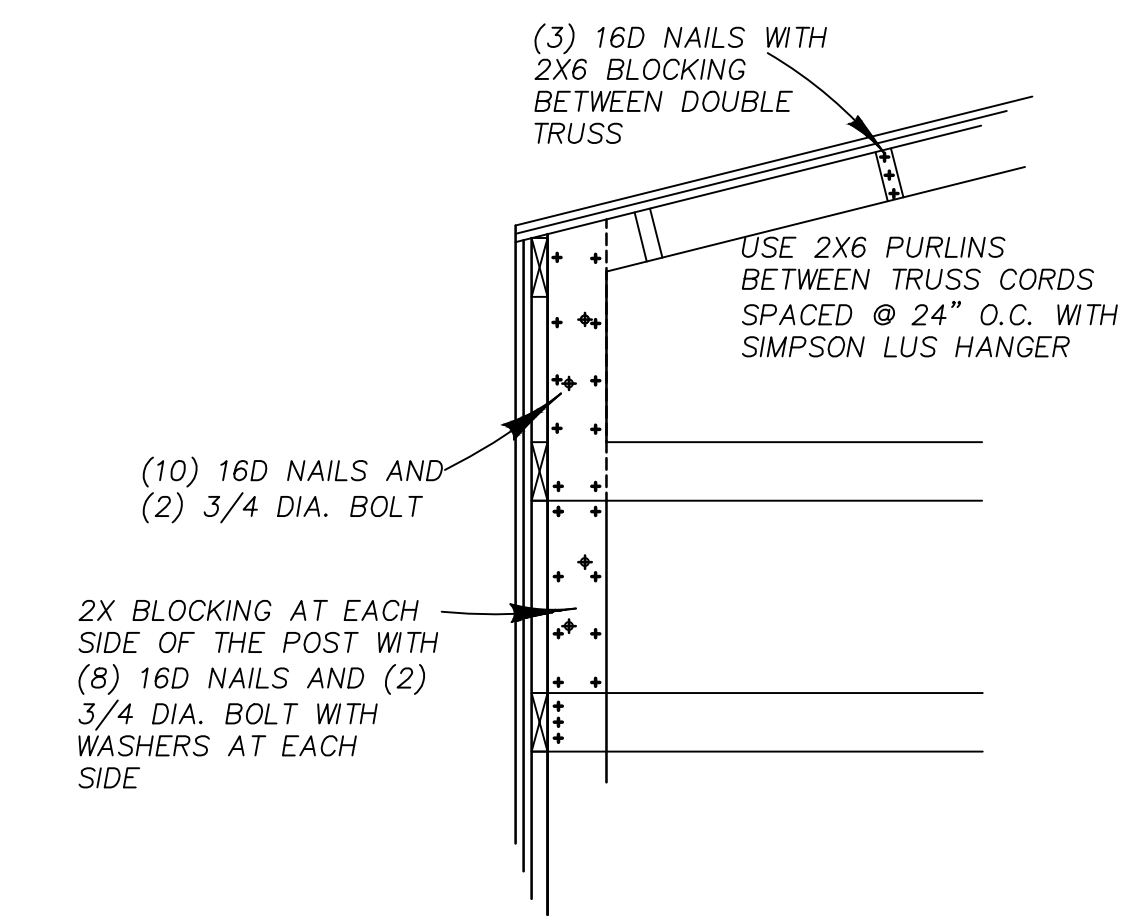
NOT TO SCALE



4
S01

GIRT TO POST CONNECTION DETAIL

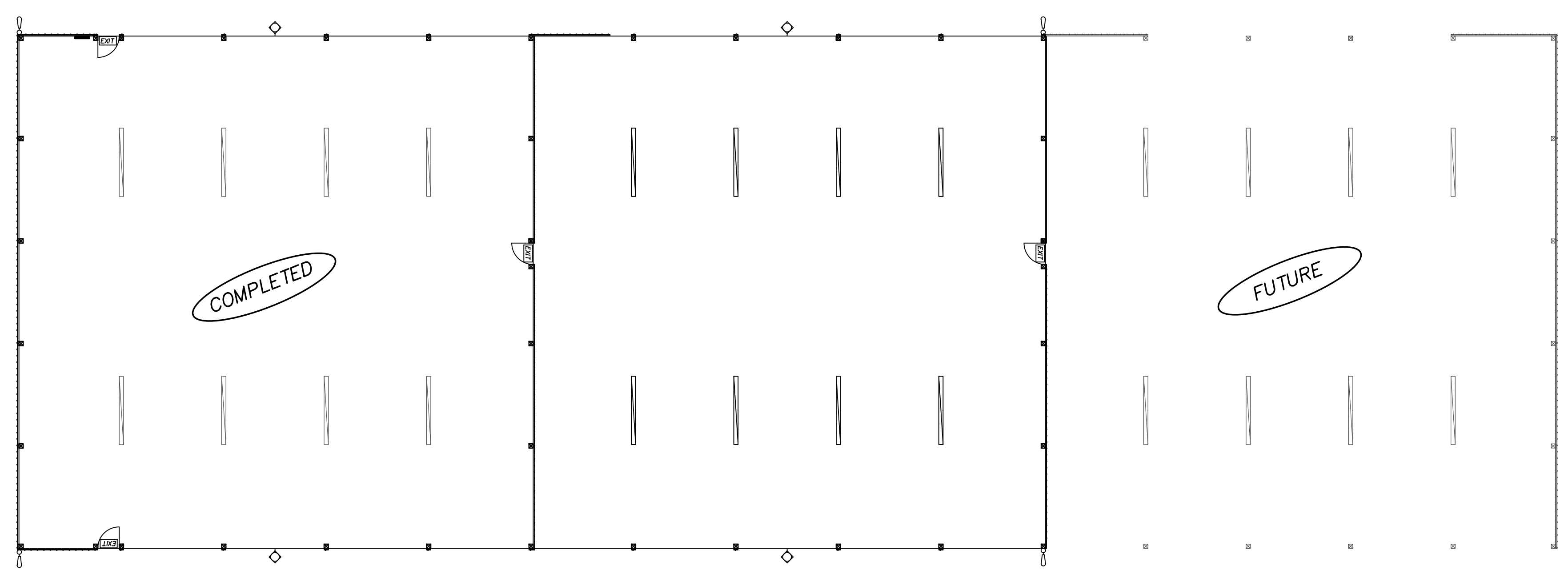
NOT TO SCALE



2
S01

TRUSS TO POST CONNECTION DETAIL

NOT TO SCALE



6
S01

LIGHTING PLAN

NOT TO SCALE

- LIGHTING PLAN LEGEND**
- Hubbell DDL-9L1 LED, Luminaire 40W (100W equal.), Wall arm mount Dusk to Dawn Security Lighting.
 - ◇ Hubbell WGH-225L-4K-U-L LED, 97W, Wall Pack for lighting exterior access and egress.
 - Columbia 8' LED striplight, 8000 lumens, 80.5W. Average illuminance = 33 FC.
 - EXIT Lithonia LQM-S-W-3-R-120/277-EL-N-M6 LED Emergency exit sign, red with stencil faced housing.
 - Electrical Panel



TYPICAL BUILDING SECTION, LIGHTING PLAN AND DETAILS		
REVISIONS	BAGETT, GRIFFITH & BLACKMAN 2006 Adams Avenue, LaGrande, Oregon UNION COUNTY SEARCH AND RESCUE RALPH'S PLACE 63836 STATE HWY 30 Situate in Section 23, Township 3 South, Range 38 East of the Willamette Meridian Tax Lot 1300, Map 0353823	SHEET 1 OF 3

Job Number: B20796
 Union Co. Search & Rescue Contractor Union Co. Search & Rescue
 Truss Label: T1

Phy: 1
 City: 2007

SEON: 341251 / T26 / COMM
 FROM: SP

DRW: 10/17/2018

LOADING CRITERIA

TCLL:	25.00
TCCL:	5.00
BCLL:	0.00
BCDL:	1.00
Des. Ld.:	31.00
NCRCLL:	0.00
SWR:	2.00
Load Duration:	1.15
Spacing:	72.0"

WIND CRITERIA

Wind Dir.:	ASCE 7-05
Speed:	80 mph
Exposure:	Flat, Enc.
Category:	1
Mean Height:	25.83 ft
TCCL:	5.00
BCCL:	0.9 psf
CDC:	6.00 ft
Loc. from windward:	Any
1.5R:	0.00
Wind Duration:	1.33

SNOW CRITERIA

PSF Selection:	loc. Ue/L
VERTICAL:	1.102
VERTICAL:	1.509
HORIZONTAL:	0.382
HORIZONTAL:	0.524
Max. TC:	0.983
Max. BC:	0.989
Max. Wind:	0.915
MIP Specified:	Comber.
VIEW Ver.:	17.02.00.1013.15

DETAILED CRITERIA

PPF Selection:	loc. Ue/L
VERTICAL:	1.027
VERTICAL:	1.406
HORIZONTAL:	0.380
HORIZONTAL:	0.524
Max. TC:	0.823
Max. BC:	0.840
Max. Wind:	0.915
MIP Specified:	Comber.
VIEW Ver.:	17.02.00.1013.15

MAXIMUM REACTIONS (lbs)

Loc. R	J/U	Rw	R/L	V/W
S	8086	7786	N-M	11942
S	8608	7278	F-L	12021
S	9078	1302	L-G	701
S	9548	1074	G-K	800
S	10018	773	K-H	861
S	10488	526	H-J	884
S	10958	280	J-I	929
S	11428	30	I-R	958

MAXIMUM TOP CHORD FORCES PER PLY (lbs)

Chords	Tens. Comp.	Chords	Tens. Comp.
A-S	629	J-K	4000
B-C	629	K-L	7092
C-D	929	L-M	7851
D-E	947	M-N	9125
E-F	945	N-O	8631
F-G	908	O-P	9103
G-H	740	P-Q	9056
H-I	717	Q-R	833
I-J	4626	R-S	650

MAXIMUM BOTTOM CHORD FORCES PER PLY (lbs)

Chords	Tens. Comp.	Chords	Tens. Comp.
A-S	629	J-K	1558
AC-AD	925	BN-BL	1571
AE	854	BM-BN	1463
AF	1248	BO-BP	1462
AG	1248	BP-BQ	1528
AG-AH	981	BR-BT	807
AG-AB	230	BU-BV	802
AA-AJ	1028	BV-L	802
AK-F	982	L-EX	516
F-AL	381	BY-BZ	433
AM-AN	420	CA-CB	402
AO-AA	381	CC-V	468
AA-AP	465	V-CD	380

PLATING NOTES

All plates are 555619 except as noted.

PURINS

In lieu of structural panels or rigid ceiling use purins to laterally brace chords as follows:

Chord	Spacing (in)	Start (ft)	End (ft)
TC	24	0.00	60.00
BC	24	0.00	60.00

Apply purins to any chords above or below fillets at 30" OC unless shown otherwise above.

LOADING

Truss designed for unbalanced snow loads.

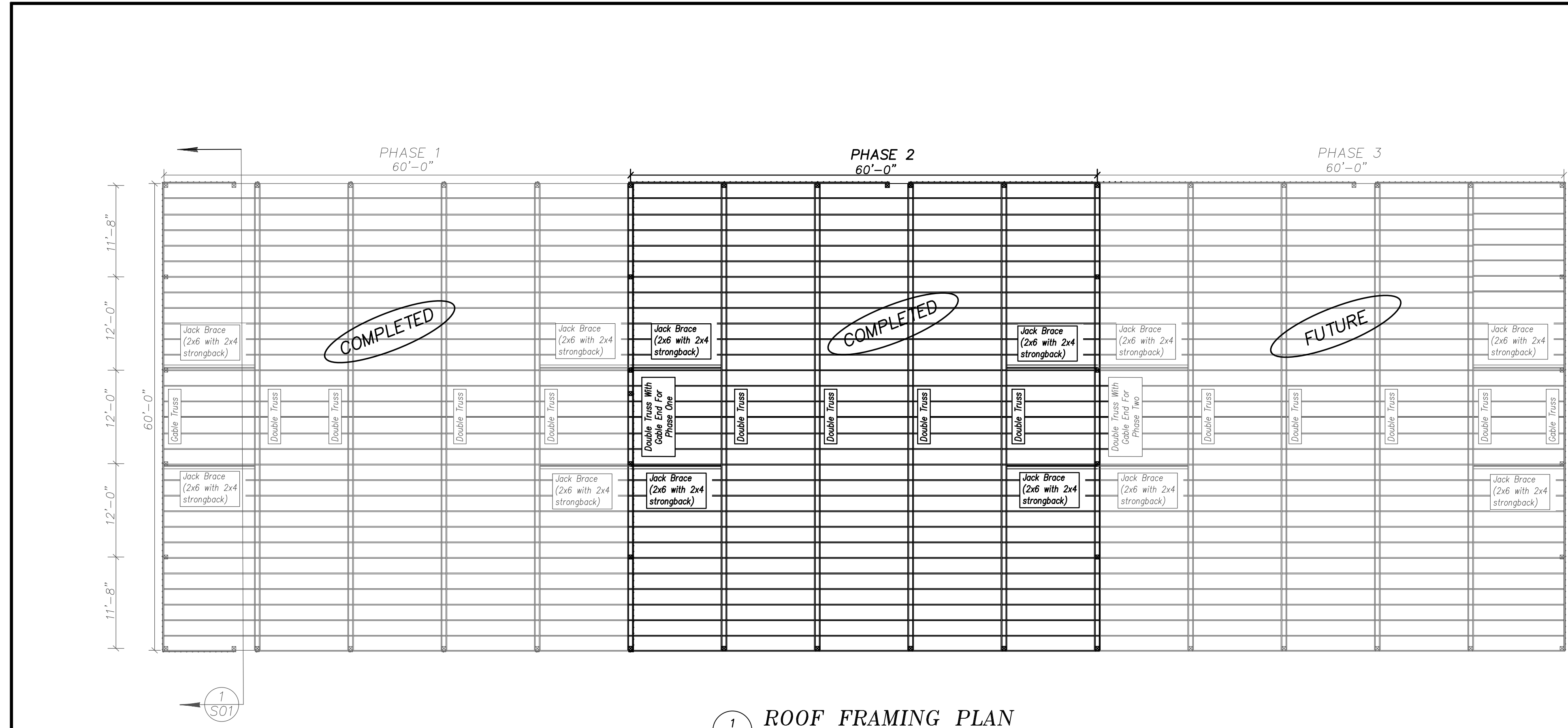
ADDITIONAL NOTES

WARNING: Furnish a copy of this DWG to the installation contractor. Special care must be taken during handling, shipping and installation of trusses. See "WARNING" note below.

IMPORTANT: READ AND FOLLOW ALL NOTES ON THIS DRAWING!

PLEASE REFER TO THE DRAWING TO ALL CONTRACTORS INCLUDING THE INSTALLERS. Trusses require extreme care in shipping, handling, shipping, installing and bracing. Refer to and follow the latest edition of BCSI (Building Components Institute) Information, Part 14 and Part 15 for guidelines for performing these functions. Installing shall provide temporary bracing per BCSI. Locations shown for permanent lateral bracing of each truss shall have a minimum of 2" x 4" sections (B, E, F, G, H, I, J, K, L, M, N, O, P, Q, R, S, T, U, V, W, X, Y, Z) as specified. Apply bracing to each truss from above and on the windward side. Trusses shall be braced in accordance with BCSI Form 160A-2 for standard plate positions.

None, a division of TWA Building Components Group Inc. shall not be responsible for any deviation from this drawing any failure to build the truss in accordance with ASCE 7-05, 10 or for handling, shipping, installation and bracing. Trusses shall be braced on this drawing or other drawings during handling, shipping, installation and bracing. Trusses shall be braced in accordance with BCSI Form 160A-2. The liability and use of this drawing for any structure is the responsibility of the Building Designer per ASCE 7-05, 10.



1 ROOF FRAMING PLAN

0 10 20 30 40

SCALE: 1"=10'

Job Number: B20796
 Union Co. Search & Rescue Contractor Union Co. Search & Rescue
 Truss Label: T2

Phy: 2
 City: 2007

SEON: 341256 / T26 / GABLE
 FROM: SP

DRW: 10/17/2018

LOADING CRITERIA

TCLL:	25.00
TCCL:	5.00
BCLL:	0.00
BCDL:	1.00
Des. Ld.:	31.00
NCRCLL:	0.00
SWR:	2.00
Load Duration:	1.15
Spacing:	72.0"

WIND CRITERIA

Wind Dir.:	ASCE 7-05
Speed:	80 mph
Exposure:	Flat, Enc.
Category:	1
Mean Height:	25.83 ft
TCCL:	5.00
BCCL:	0.9 psf
CDC:	6.00 ft
Loc. from windward:	Any
1.5R:	0.00
Wind Duration:	1.33

SNOW CRITERIA

PSF Selection:	loc. Ue/L
VERTICAL:	1.027
VERTICAL:	1.406
HORIZONTAL:	0.380
HORIZONTAL:	0.524
Max. TC:	0.823
Max. BC:	0.840
Max. Wind:	0.915
MIP Specified:	Comber.
VIEW Ver.:	17.02.00.1013.15

DETAILED CRITERIA

PPF Selection:	loc. Ue/L
VERTICAL:	1.027
VERTICAL:	1.406
HORIZONTAL:	0.380
HORIZONTAL:	0.524
Max. TC:	0.823
Max. BC:	0.840
Max. Wind:	0.915
MIP Specified:	Comber.
VIEW Ver.:	17.02.00.1013.15

MAXIMUM REACTIONS (lbs)

Loc. R	J/U	Rw	R/L	V/W
S	8086	7786	N-M	11942
S	8608	7278	F-L	12021
S	9078	1302	L-G	701
S	9548	1074	G-K	800
S	10018	773	K-H	861
S	10488	526	H-J	884
S	10958	280	J-I	929
S	11428	30	I-R	958

MAXIMUM TOP CHORD FORCES PER PLY (lbs)

Chords	Tens. Comp.	Chords	Tens. Comp.
A-S	629	J-K	4000
B-C	629	K-L	7092
C-D	929	L-M	7851
D-E	947	M-N	9125
E-F	945	N-O	8631
F-G	908	O-P	9103
G-H	740	P-Q	9056
H-I	717	Q-R	833
I-J	4626	R-S	650

MAXIMUM BOTTOM CHORD FORCES PER PLY (lbs)

Chords	Tens. Comp.	Chords	Tens. Comp.
A-S	629	J-K	1558
AC-AD	925	BN-BL	1571
AE	854	BM-BN	1463
AF	1248	BO-BP	1462
AG	1248	BP-BQ	1528
AG-AH	981	BR-BT	807
AG-AB	230	BU-BV	802
AA-AJ	1028	BV-L	802
AK-F	982	L-EX	516
F-AL	381	BY-BZ	433
AM-AN	420	CA-CB	402
AO-AA	381	CC-V	468
AA-AP	465	V-CD	380

PLATING NOTES

All plates are 234 except as noted.

PURINS

In lieu of structural panels or rigid ceiling use purins to laterally brace chords as follows:

Chord	Spacing (in)	Start (ft)	End (ft)
TC	24	0.00	60.00
BC	24	0.00	60.00

Apply purins to any chords above or below fillets at 30" OC unless shown otherwise above.

LOADING

Truss designed for unbalanced snow loads.

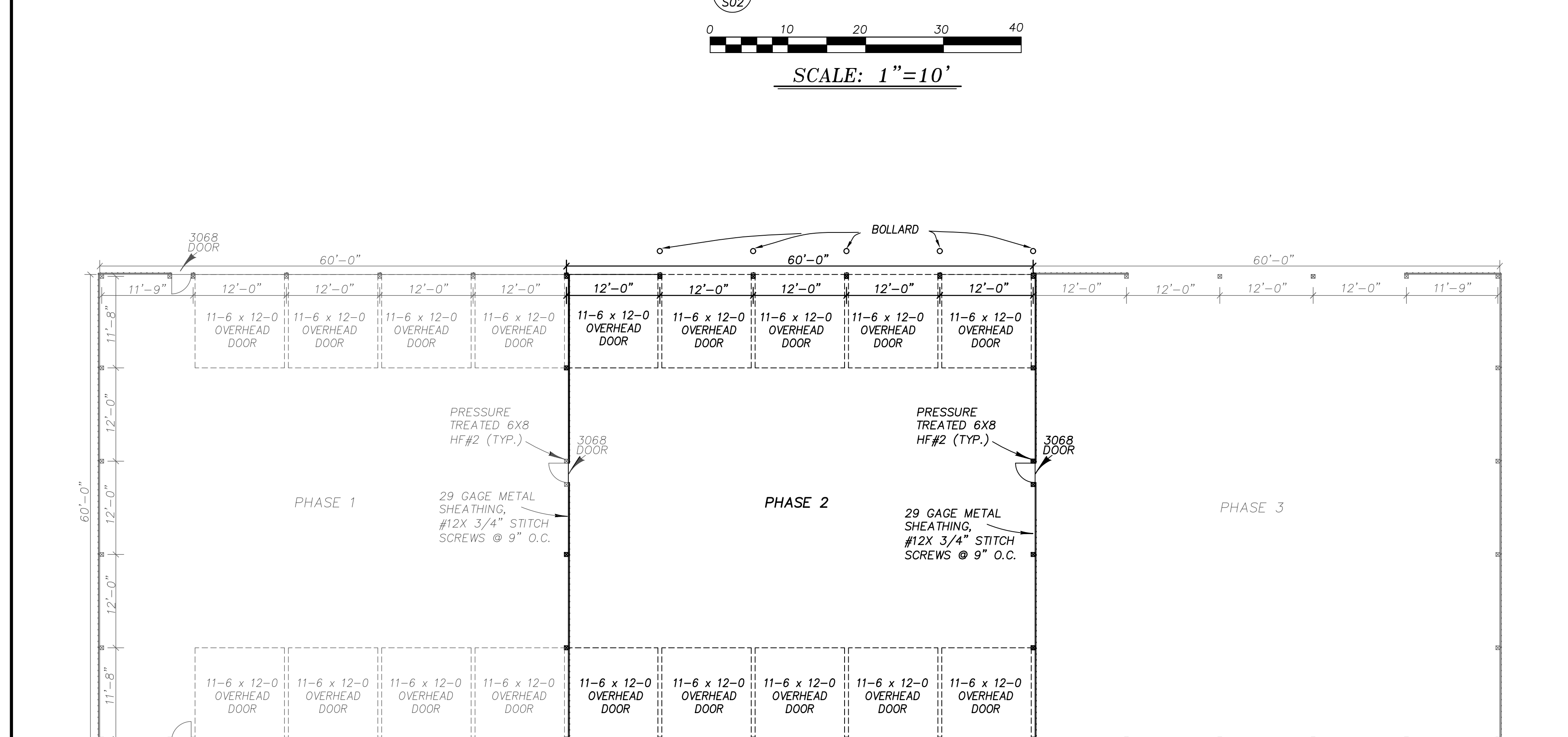
ADDITIONAL NOTES

WARNING: Furnish a copy of this DWG to the installation contractor. Special care must be taken during handling, shipping and installation of trusses. See "WARNING" note below.

IMPORTANT: READ AND FOLLOW ALL NOTES ON THIS DRAWING!

PLEASE REFER TO THE DRAWING TO ALL CONTRACTORS INCLUDING THE INSTALLERS. Trusses require extreme care in shipping, handling, shipping, installing and bracing. Refer to and follow the latest edition of BCSI (Building Components Institute) Information, Part 14 and Part 15 for guidelines for performing these functions. Installing shall provide temporary bracing per BCSI. Locations shown for permanent lateral bracing of each truss shall have a minimum of 2" x 4" sections (B, E, F, G, H, I, J, K, L, M, N, O, P, Q, R, S, T, U, V, W, X, Y, Z) as specified. Apply bracing to each truss from above and on the windward side. Trusses shall be braced in accordance with BCSI Form 160A-2 for standard plate positions.

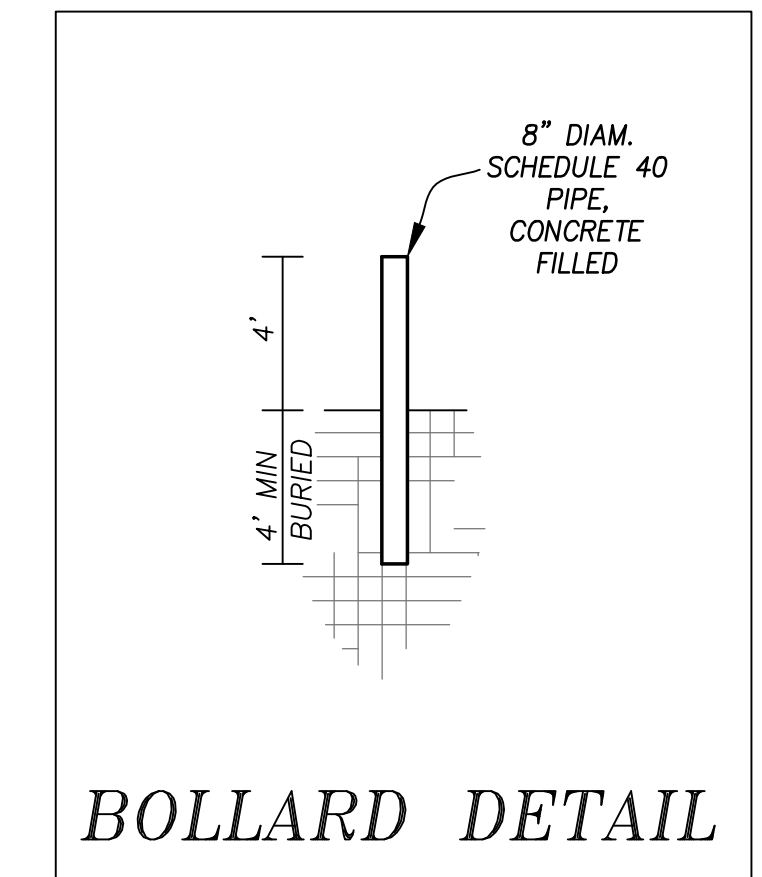
None, a division of TWA Building Components Group Inc. shall not be responsible for any deviation from this drawing any failure to build the truss in accordance with ASCE 7-05, 10 or for handling, shipping, installation and bracing. Trusses shall be braced on this drawing or other drawings during handling, shipping, installation and bracing. Trusses shall be braced in accordance with BCSI Form 160A-2. The liability and use of this drawing for any structure is the responsibility of the Building Designer per ASCE 7-05, 10.



2 FOOTING FLOOR PLAN

0 10 20 30 40

SCALE: 1"=10'



ROOF FRAMING PLAN - FOOTING PLAN

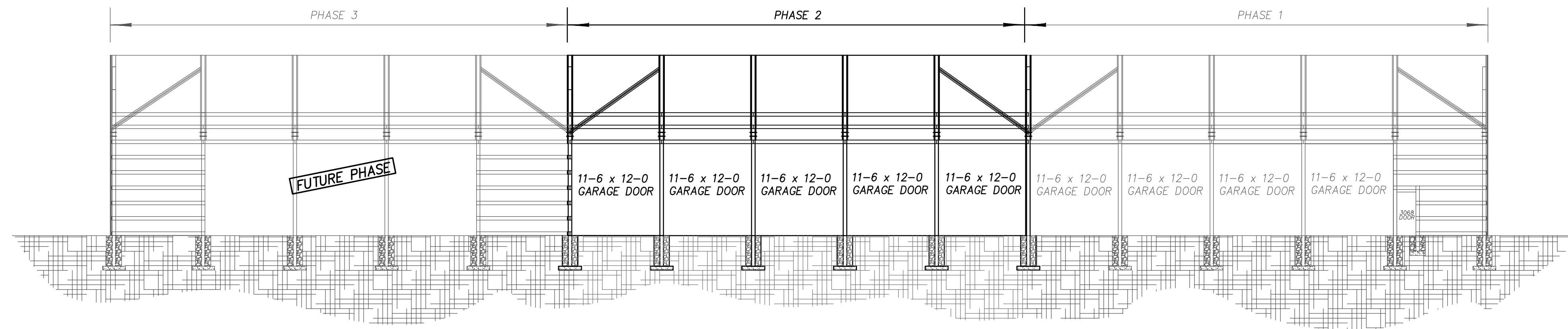
REVISIONS

BAGETT, GRIFFITH & BLACKMAN
 2006 Adams Avenue, LaGrande, Oregon

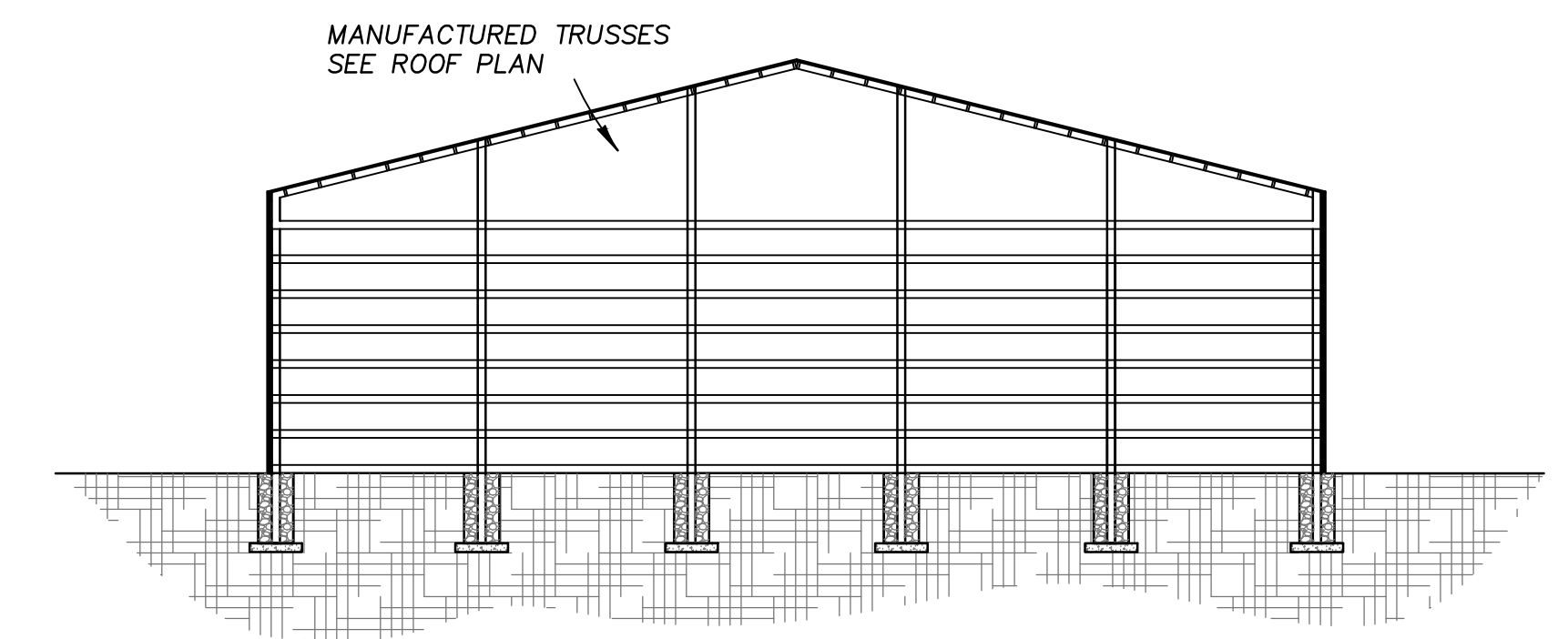
UNION COUNTY SEARCH AND RESCUE
 RALPH'S PLACE
 63836 STATE HWY 30
 Situate in Section 23, Township 3 South, Range 38 East of the Willamette Meridian
 Tax Lot 1300, Map 0353823

SHEET
 2 OF 3
 S02

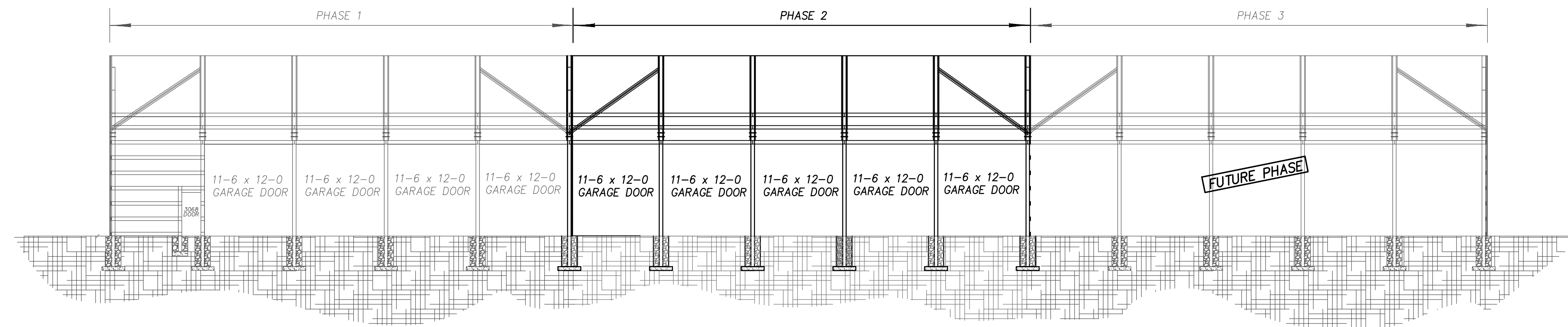
REGISTERED PROFESSIONAL DRAFTER
 NOT FOR CONSTRUCTION
 LES TIPLIN
 JUL 2 21 1999



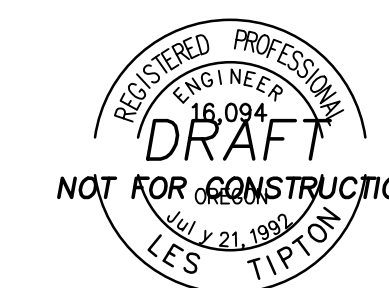
1 FRAMING PLAN - WEST SIDE
S03



3 FRAMING PLAN - NORTH/SOUTH SIDES
S03



2 FRAMING PLAN - EAST SIDE
S03



FRAMING PLAN		
REVISIONS	BAGETT, GRIFFITH & BLACKMAN 2006 Adams Avenue, LaGrande, Oregon UNION COUNTY SEARCH AND RESCUE RALPH'S PLACE 63836 STATE HWY 30 Situate in Section 23, Township 3 South, Range 38 East of the Willamette Meridian Tax Lot 1300, Map 03S3823	SHEET 3 OF 3 S03