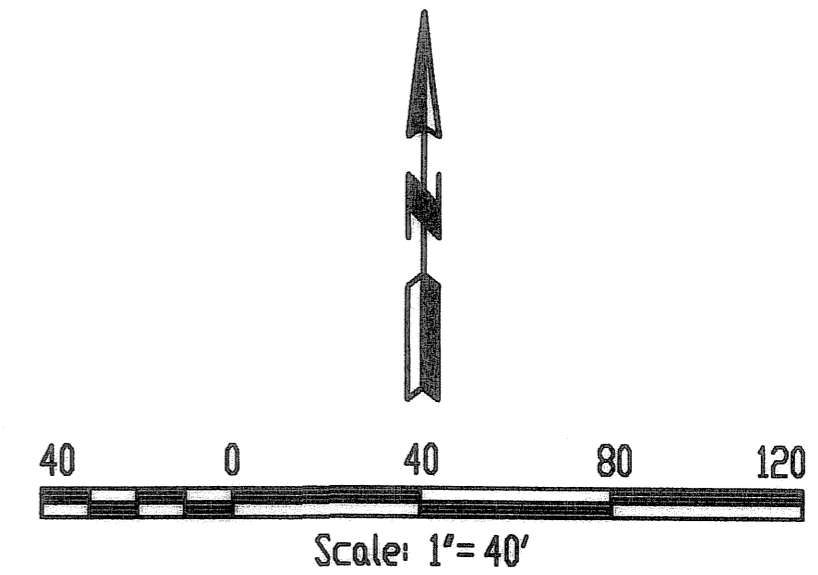


FOUND 5/8-INCH DIAMETER COPPER WELD PIPE, WITH LEAD PLUG IN CENTER, FLUSH WITH ROAD SURFACE, BRASS CAP IS MISSING, (CS 13-88).

ADAMS AVENUE

N89°44'17"W BASIS OF BEARING (CS 13-88)
(319.83' 319.83' (320.00'))

FOUND 2 1/2-INCH DIAMETER BRASS CAP, FLUSH WITH ROAD SURFACE (CS 13-88).



SURVEY NARRATIVE

THIS SURVEY WAS PERFORMED AT THE REQUEST OF JOHN AND LAURA HANCOCK. THE PURPOSE OF THE SURVEY WAS TO DETERMINE THE LOCATION OF THE BOUNDARY OF LOT 2, BLOCK 15, GRANDY'S ADDITION TO LA GRANDE. BLOCK 15 WAS CONTROLLED ON ALL SIDES BY USING FOUND CENTERLINE MONUMENTS AND FOUND REFERENCES TO CENTERLINE INTERSECTIONS AS SHOWN HEREON. THE FOUND POSITIONS OF THOSE MONUMENTS AND REFERENCES FIT WELL WITH RECORD CALLS.

THE EAST AND WEST BOUNDARY LINES OF LOT 2 WERE SET FROM THE RECORD CALLS WITHIN BLOCK 15, SINCE THE NORTH-SOUTH RECORD AND FOUND CALLS MATCHED SO WELL. A SLIGHT PRORATION WAS USED ON THE NORTH AND SOUTH BOUNDARY LINES OF LOT 2 TO ACCOUNT FOR A MINOR DIFFERENCE BETWEEN EAST-WEST RECORD AND FOUND CALLS.

THE ABSTRACT & TITLE CO. PRELIMINARY TITLE REPORT FOR THIS PROPERTY MAKES REFERENCE TO AN ENCROACHMENT OF A SHED LOCATED ON LOT 3 OF BLOCK 15, ONTO LOT 2. NO ENCROACHMENTS ONTO LOT 2 WERE FOUND AT THE TIME OF THIS SURVEY. THE LINES OF POSSESSION AROUND LOT 2, BLOCK 15 APPEAR TO BE IN HARMONY WITH RECORD AND FOUND CALLS.

BASIS OF BEARINGS

N89°44'17"W BETWEEN THE FOUND MONUMENTS AT THE CENTERLINE INTERSECTIONS OF ADAMS AVE. WITH FIRST ST. AND ADAMS AVE. WITH SECOND ST., AS SHOWN ON UNION COUNTY SURVEY 13-88 (ADAMS AVENUE REMONUMENTATION SURVEY).

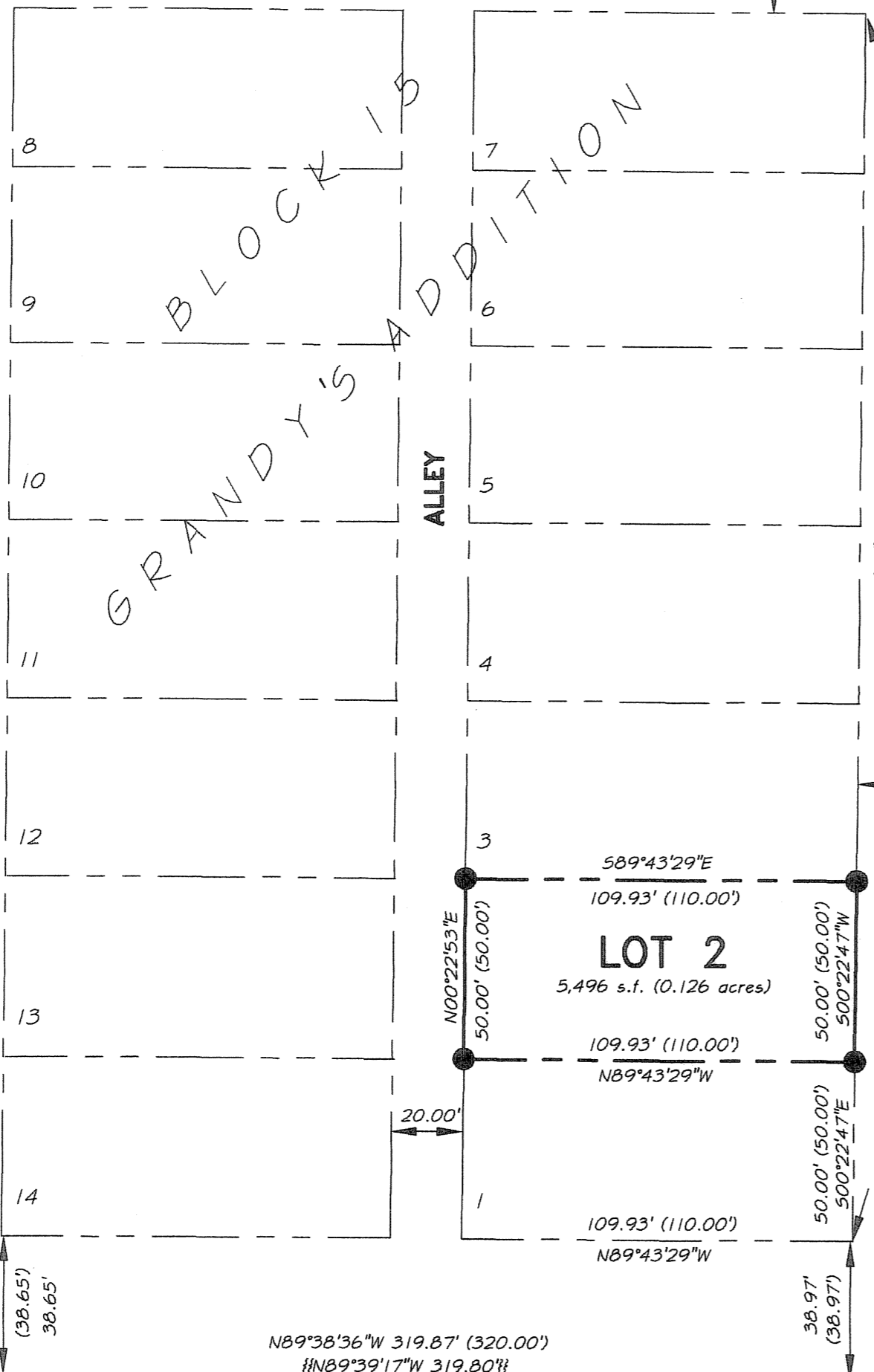
REFERENCES

- UNION COUNTY SURVEY 23-73
- UNION COUNTY SURVEY 15-76
- UNION COUNTY SURVEY 37-81
- UNION COUNTY SURVEY 18-89 (REMONUMENTATION OF THE CITY OF LA GRANDE, BY McLAIN, 1922)
- UNION COUNTY SURVEY 13-88
- UNION COUNTY DEED - (INSTRUMENT # 20052827)
- PRELIMINARY TITLE REPORT #43735, BY ABSTRACT & TITLE CO., JUNE 2005

FOUND FOUR BRASS SCREWS IN LEAD PLUGS, SET IN CONCRETE CURB AS REFERENCES TO CENTERLINE INTERSECTION POSITION FROM CS 18-89, (REMONUMENTATION OF CITY OF LA GRANDE, BY McLAIN, 1922). FOUND "PK" NAIL FLUSH WITH ASPHALT N36°16'13"E, 0.20' FROM COMPUTED POSITION.

FIRST STREET

N00°23'08"E 423.52' (423.59')

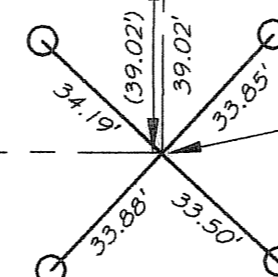


SECOND STREET

WASHINGTON AVENUE

LEGEND

- INDICATES SET 5/8 INCH IRON ROD, 30 INCHES LONG WITH 1 1/2" DIA. ALUMINUM CAP STAMPED "APA WA41295 OR2849"
- INDICATES FOUND REFERENCE MONUMENT AS DESCRIBED HEREON
- ⊕ INDICATES FOUND MONUMENT AS DESCRIBED HEREON
- {XXX.XX} INDICATES RECORD DIMENSION PER UNION COUNTY SURVEY 13-88
- {XXX.XX} INDICATES RECORD DIMENSION PER UNION COUNTY SURVEY 23-73
- {XXX.XX} INDICATES RECORD DIMENSION PER UNION COUNTY SURVEY 18-89 (McLAIN 1922)
- {XXX.XX} INDICATES RECORD DIMENSION PER UNION COUNTY SURVEY 15-76
- — — — — INDICATES SURVEYED LOT BOUNDARY
- — — — — INDICATES EXISTING SUBDIVISION LOT OR BLOCK BOUNDARY
- — — — — INDICATES CENTERLINE OF RIGHT OF WAY



FOUND FOUR BRASS SCREWS IN LEAD PLUGS, SET IN CONCRETE CURB AS REFERENCES TO CENTERLINE INTERSECTION POSITION FROM CS 18-89, (REMONUMENTATION OF CITY OF LA GRANDE, BY McLAIN, 1922).

UNION COUNTY SURVEYOR
 Date Received: 10/19/05
 Date Filed: 10/20/05
 By: [Signature]
 File No. 022-2005

REGISTERED PROFESSIONAL LAND SURVEYOR
 [Signature]
 OREGON
 JANUARY 20, 1888
 MICHAEL B. POSADA
 02849LS
 EXPIRES: 12-31-06

DATED: 10-19-05

MAP OF SURVEY
 LOT 2 IN BLOCK 15, GRANDY'S ADDITION TO LA GRANDE, UNION COUNTY OREGON
 IN THE SE 1/4, SECTION 6, T.35., R.38E. W.M.,

JOHN AND LAURA HANCOCK
 1904 2ND ST. LA GRANDE, OR. 97850

SCALE: 1" = 40'
 DATE: OCT, 2005
 JOB NO. MBP

anderson perry & associates, inc.
 ENGINEERING · SURVEYING · MATERIALS TESTING
 LA GRANDE, OR. WALLA WALLA, WA.

SHEET 1/1