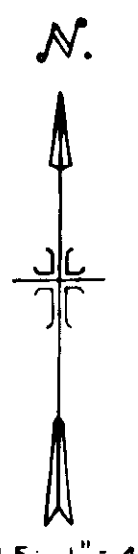


DETAIL 1/2



LEGEND

- BOUNDARY LINE
- - - SECTION LINE
- ROAD CENTERLINE
- - - ROAD RIGHT-OF-WAY LINE
- ⊕ BRASS MONUMENT FOUND
- ⊙ 2" Ø IRON PIN FOUND
- ⊙ IRON PIN w/ PLASTIC CAP FOUND - Anderson, Perry, & Associates
- 5/8" Ø IRON PIN FOUND
- 1/2" Ø IRON PIN FOUND
- PK NAIL FOUND
- 5/8" Ø REBAR SET

NOTE: ORIGINAL BOUNDARY SURVEY BY EDWARDS ENGINEERING SERVICES, JOB NO. SO-02581, DATED 4/9/81.

CLIENT: RAY KENNEY

INTERSTATE ENGINEERING
 503-889-5411
 P.O. BOX "C" ONTARIO, OREGON 97914

SCALE: 1" = 40'

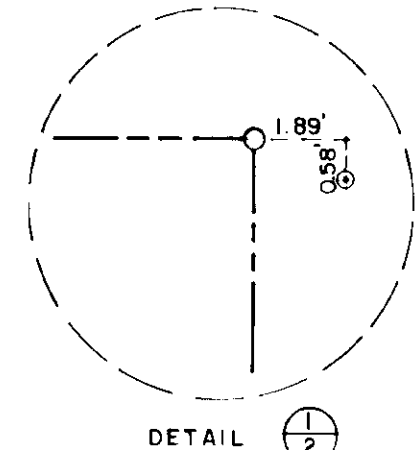
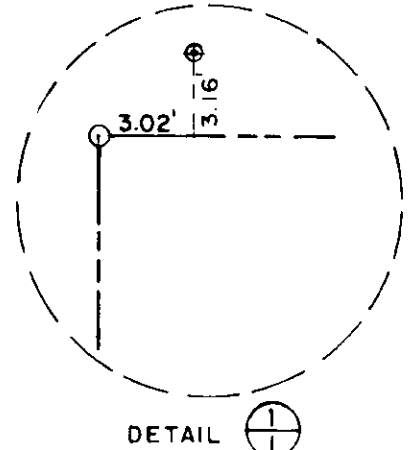
PAGES: 1 OF 1

PROJECT REFERENCE: SO-02581

DATE	DATE	DATE	DATE
10/6/81			
DATE	DATE	DATE	DATE
DATE	DATE	DATE	DATE

1/4 COR. SEC. 10
 SEC. 15
 T. 1 N., R. 39 E., W. M.

SEC COR.
 T. 1 N., R. 39 E., W. M.



CERTIFICATION

I, WILLIAM H. WEAVER, A REGISTERED PROFESSIONAL LAND SURVEYOR, HEREBY CERTIFY THAT THIS MAP IS A TRUE AND ACCURATE REPRESENTATION OF A SURVEY MADE UNDER MY DIRECTION ON 10/6/81.

William H. Weaver
 10/6/81

UNION COUNTY SURVEYOR

Date Received 10-21-81

Date Filed 10-21-81

By G. Langlite, Deputy

File No. 75-81