

CERTIFIED RECORD OF LAND CORNER MONUMENT

HISTORY OF ORIGINAL CORNER ESTABLISHMENT:

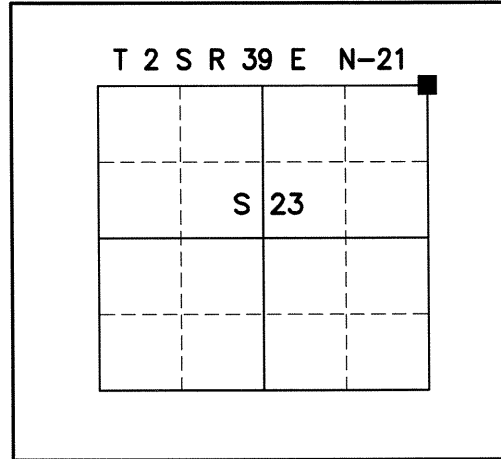
Corner originally established by D. Thompson under GLO Contract Number 103, with an accepted date of January 20th, 1864. Surveyor General record states:

Set post for section corner in mound of earth, with charred stake, pits, trench as per instructions.

No information found for the establishment of the existing monument found by Merrick & Company.

DESCRIPTION OF CORNER EVIDENCE FOUND:

FOUND EXISTING CUT 4"x6"x12" SANDSTONE WITH NO MARKINGS AT BASE OF AN EXISTING LOCUST TREE PROJECTING 9" ABOVE GROUND SURFACE.



DESCRIPTION OF MONUMENT AND ACCESSORIES THAT I ESTABLISHED TO PERPETUATE THE ORIGINAL LOCATION OF THIS CORNER:

ACCEPTED FOUND EXISTING CUT 4"x6"x12" SANDSTONE. (See detail below)

ACCESSORIES (BEARING OBJECTS):

- Set 60d Nail in top of existing 4' tall wood post, that bears N08°30'E from center of found stone monument, 55.4 feet.
- Set #5 rebar with 2" dia. alum. cap marked "RM", that bears N70°13'E from center of found stone monument, 18.0 feet.
- Set 60d Nail 3' above ground in south face of existing 8" dia. locust tree, that bears S20°00'E from center of found stone monument, 29.3 feet.
- Set 60d Nail 3' above ground in south face of existing 16" dia. locust tree, that bears S25°00'W from center of found stone monument, 3.1 feet.

I hereby certify that the corner was found on July 16th, 2019.

Witnessed by: Kevin Kenna & Seth Gould

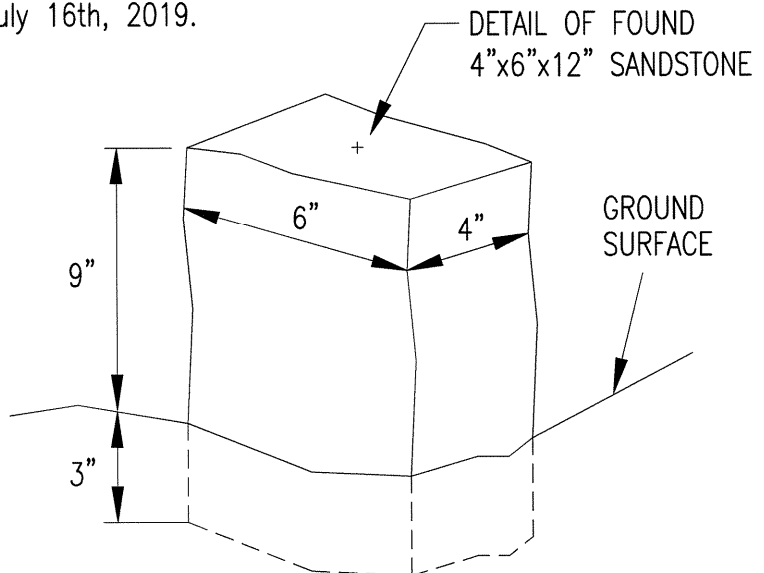
REGISTERED
PROFESSIONAL
LAND SURVEYOR

OREGON
NOVEMBER 7, 2011
VERNEN KALANI LEE
85504

EXPIRES: 12/31/2020

UNION COUNTY
SURVEYOR

DATE RECEIVED: 9/20/19
DATE FILED: 9/24/19
FILED BY: *[Signature]*
FILE NUMBER: 049-2019R



FIELD CREW USED A COMPASS OR GPS WITH STEEL TAPE FOR ESTABLISHMENT OF THE NEW ACCESSORIES. ALL DISTANCES STATED ARE HORIZONTAL DISTANCES FROM CENTER OF FOUND SANDSTONE TO THE STATED ACCESSORY.

CERTIFIED RECORD OF LAND CORNER MONUMENTATION

HISTORY OF ORIGINAL CORNER ESTABLISHED:

Corner originally established by David P. Thompson under GLO contract 103, dated September 3rd, 1863. Surveyor General field notes state:

Set post for section corner in mound of earth with charred stake, pits, trench, as per instructions.

Unrecorded monument found in Union County Survey 029-2019. Union County Monumentation record 049-2019R states: Found existing cut 4"x6"x12" sandstone with no markings at base of an existing locust tree projecting 9" above ground surface, from which:

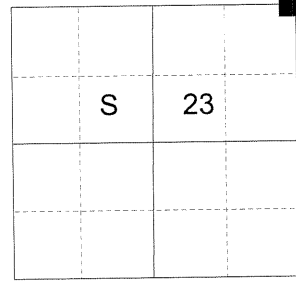
A 60d Nail in top of existing 4' tall wood post bears North 08°30' East, a dist. of 55.4 feet.

A #5 rebar with 2" diam. alum. cap marked "RM" bears North 70°13' East, a dist. of 18.0 feet.

A 60d Nail, 3' above ground, in South face of an 8" diam. locust tree bears South 20° East, a dist. of 29.3 feet.

A 60d Nail, 3' above ground, in South face of a 16" diam. locust tree bears South 25° West, a dist. of 3.1 feet.

T 2 S R 39 E N-21



DESCRIPTION OF CORNER EVIDENCE FOUND:

Found cut 4"x6"x12" sandstone, in an area devoid of other stones, with no markings at the base of an aged Hawthorn tree projecting 9" above ground surface, from which:

A 60d Nail in top of existing 4' tall wood post bears North 08°30' East, a dist. of 55.4 feet.

A 5/8" rebar with 2" diam. alum. cap marked "RM" bears North 70°13' East, a dist. of 18.0 feet.

A 60d Nail, 3' above ground, in South face of an 8" diam. Hawthorn tree bears South 20° East, a dist. of 29.3 feet.

A 60d Nail, 3' above ground, in South face of a 16" diam. Hawthorn tree bears South 25° West, a dist. of 3.1 feet.

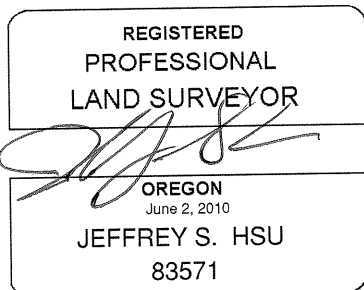
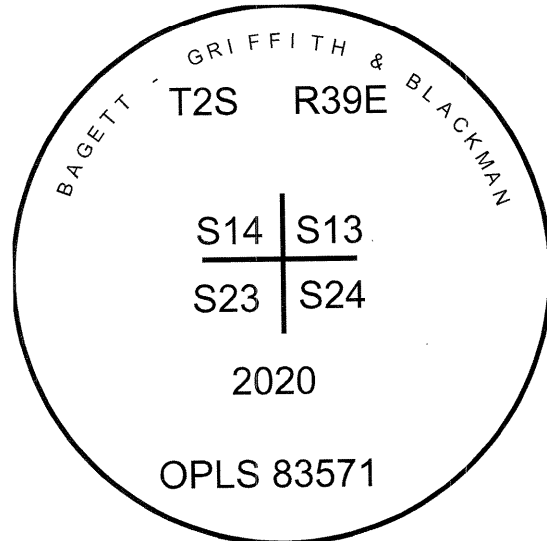
Remnants of an ancient fenceline run North and South. The post used as a reference appears to be part of an old pasture fence that ran along the edge of a curved field.

DESCRIPTION OF MONUMENT AND ACCESSORIES I ESTABLISHED TO MONUMENT THE ORIGINAL LOCATION OF THIS CORNER:

At the position of the found stone, I set a 5/8" x 30" iron pin, 26" in the ground, with a 2 1/2" aluminum cap marked as shown below.

I hereby certify that the corner was monumented on March 10, 2020.

Witness: Kyle A. Tucker



UNION COUNTY SURVEYOR
Date Received 3/17/20
Date Filed 3/17/20
Filed By Nil Gilman
File Number 001-2020R

I used a Leica GS 18 in the establishment of the new accessories. Basis of Bearing is as per Union County Survey 029-2019. The distances and bearings are to the center of the aluminum caps or the center of the nails.

HORIZONTAL CONTROL DATA

UNION COUNTY, OREGON

OREGON STATE PLANE, NORTH ZONE (3601)

STA NAME: 2020016

REFERENCE TO SECTION CORNER COMMON TO SECTIONS 13, 14, 23 AND 24

TWP. 2 S RGE. 39 E.

GEODETIC COORD: NAD 83(91)

DATE TIED: March 10, 2020

LAT: 45 ° 23 ' 3.412996 " N

SURVEYOR: RICK G. ROBINSON
OPLS 2219

LONG: 117 ° 53 ' 27.78659 " W

FIRM: BAGETT, GRIFFITH, & BLACKMAN
2006 ADAMS AVENUE
LAGRANDE, OR 97850
(541) 963-6092

SP. COOR: NAD 83(91)

N: 637017.859 INT FT.

E: 8872283.512 INT FT.

TYPE: GPS

THETA: 1 ° 51 ' 0.82641985 "

ORDER: SECOND CLASS: 1

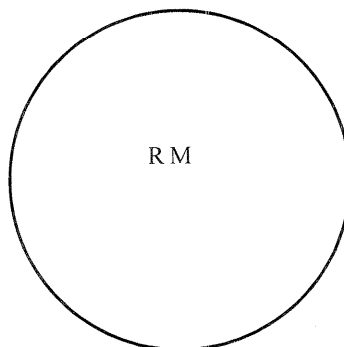
SCALE FACTOR: 0.9999016442

ELEV: 2679.21 US FT.

ELEV: DATUM: NGVD 29

COMMENTS:

Monument is a REFERENCE MONUMENT,
a 5/8" iron pin with 2" aluminum cap marked
as shown, set N 70°13' E, 18.0 ft. from TRUE
CORNER



REGISTERED
PROFESSIONAL
LAND SURVEYOR

Rick G. Robinson
OREGON
July 17, 1986
RICK G. ROBINSON
2219

Renewal Date: December 31, 2020

1 METER = 3.2808333333... US FEET = 39.37 INCHES

1 METER = 3.280839895 INT'L FEET OR 1 INCH = 2.54 CM

TO CALCULATE ELEVATION FACTOR (IN THE NORTH AMERICAN CONTINENT)

DIVIDE 20,906,000 BY (20,906,000 + ELLIPSOID ELEV. IN FEET)